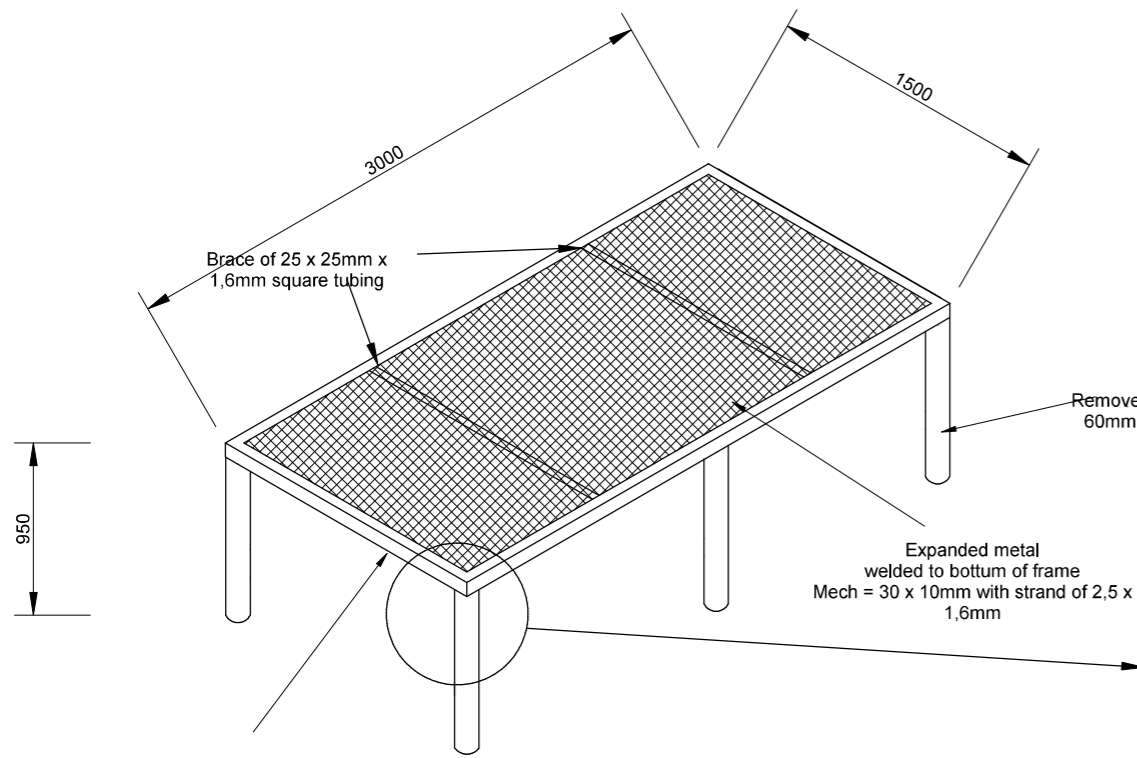
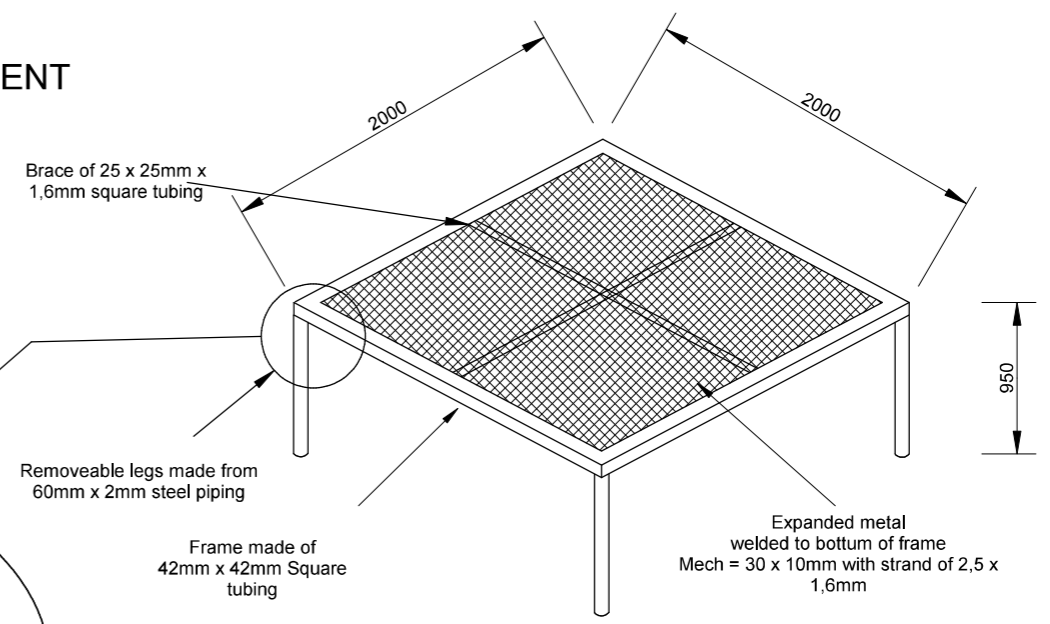
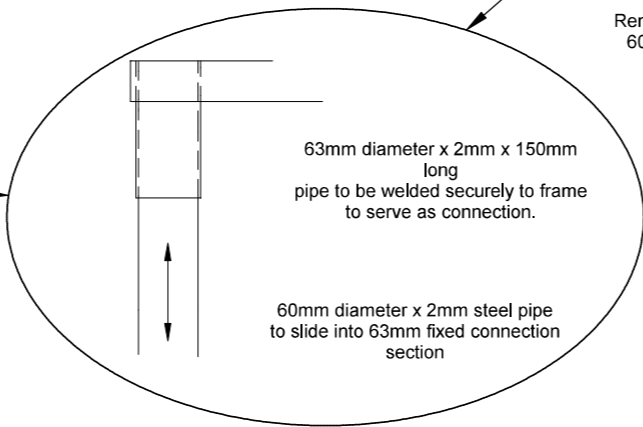


# DETAILS OF SHEARING EQUIPMENT



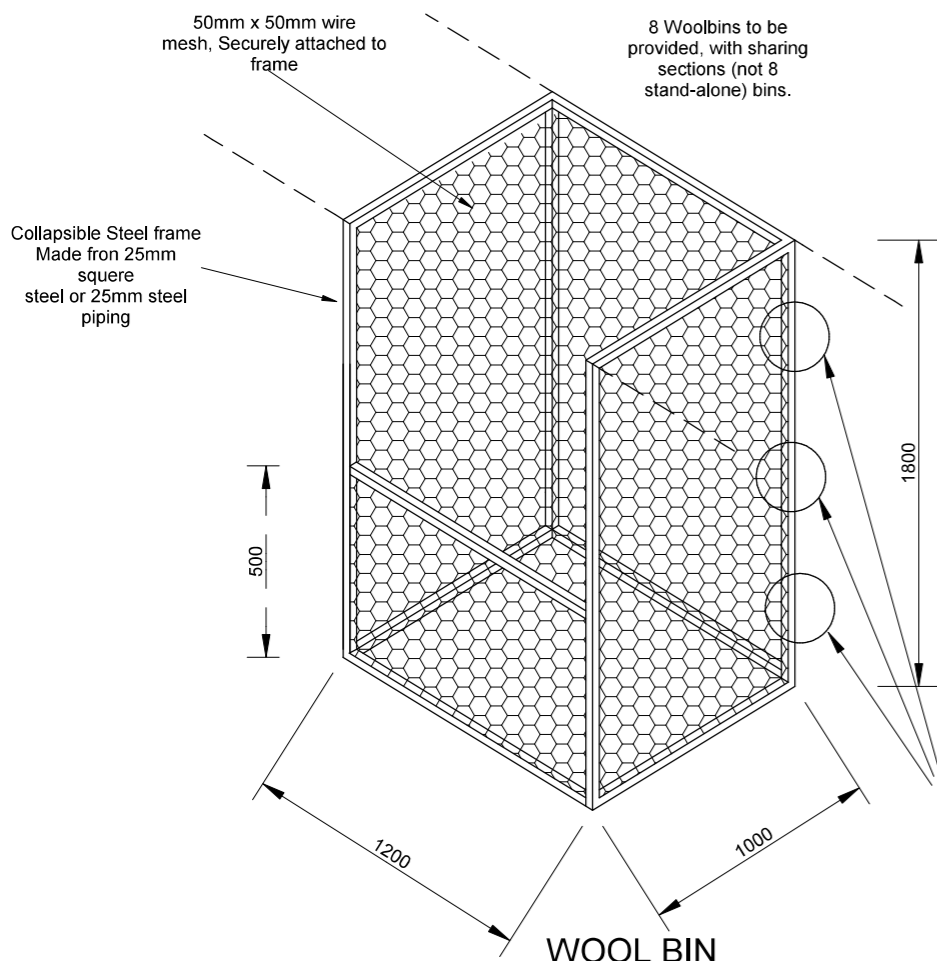
**WOOL SORTING TABLE**

Not to scale



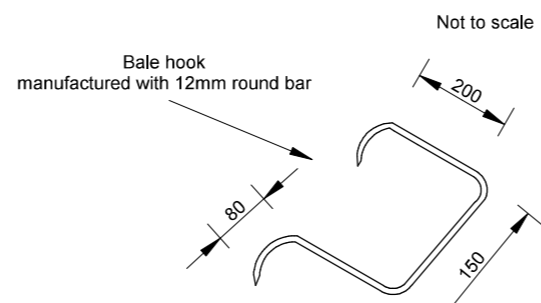
**PIECE PICKING TABLE**

Not to scale



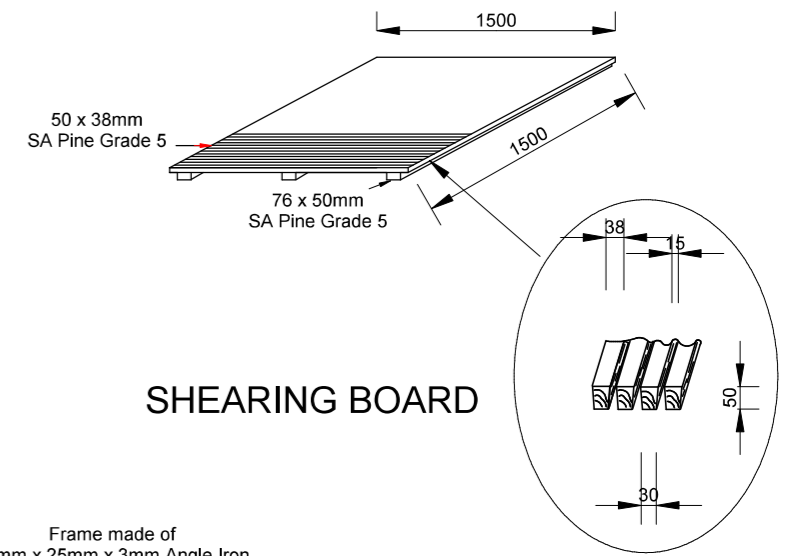
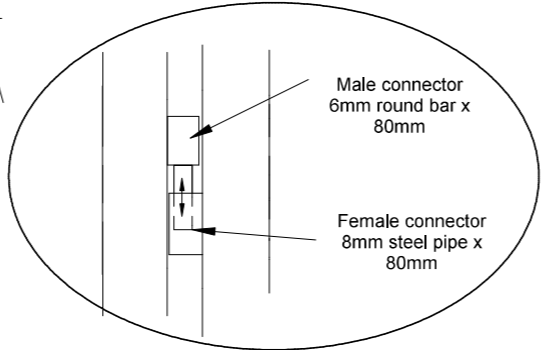
**WOOL BIN**

Not to scale

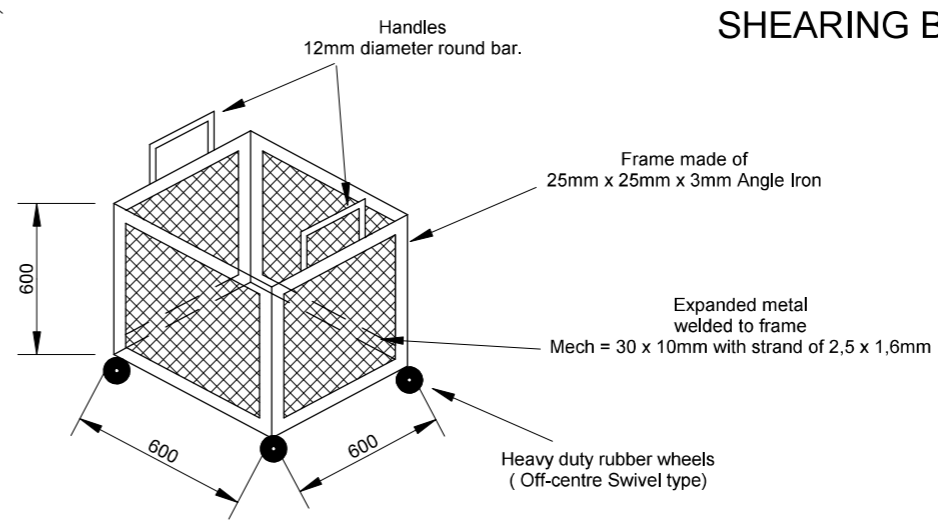


**BALE HOOKS**

Not to scale



**SHEARING BOARD**



**WOOL BASKETS**

Not to scale

NO.	SPECIAL NOTES:	JPJ KOCH (CHIEF ENGINEER)	DEPARTMENT OF RURAL DEVELOPMENT AND AGRARIAN REFORM PROVINCE OF THE EASTERN CAPE	ENGINEERING SERVICES PRIVATE BAG X015 DOHNE ADI STUTTERHEIM 4930	SHEARING EQUIPMENT	SCALE	INDEX NO.
						NTS	SCMM00/26/01
					SHEARING EQUIPMENT	A3 ORIGINAL	PLAN NO. SHEET 1 OF 1