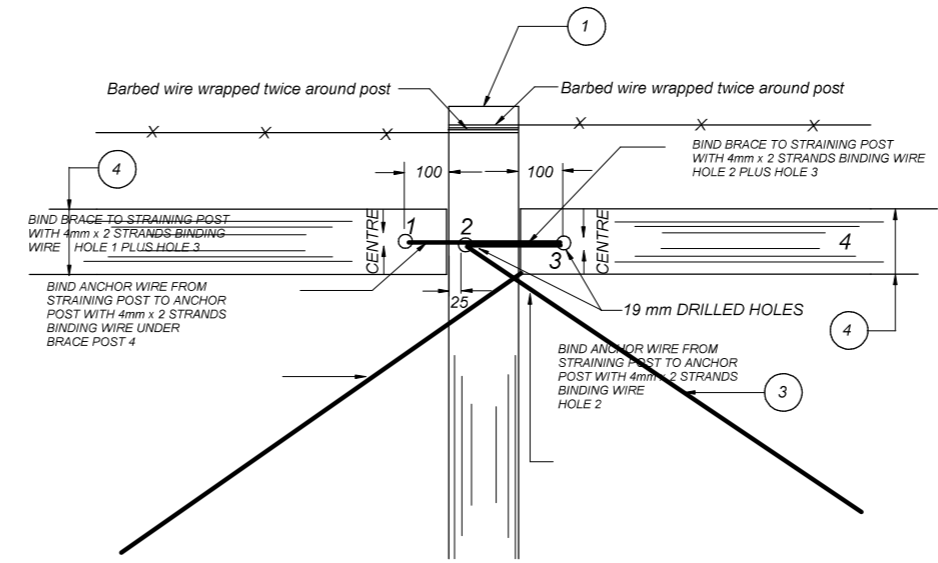
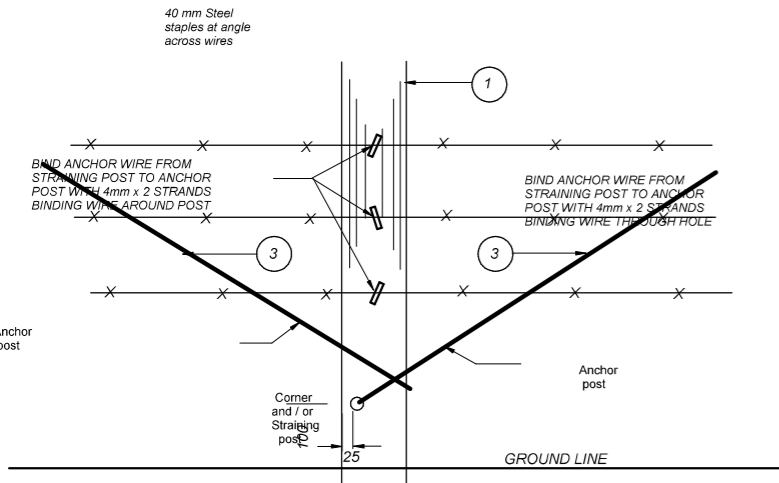


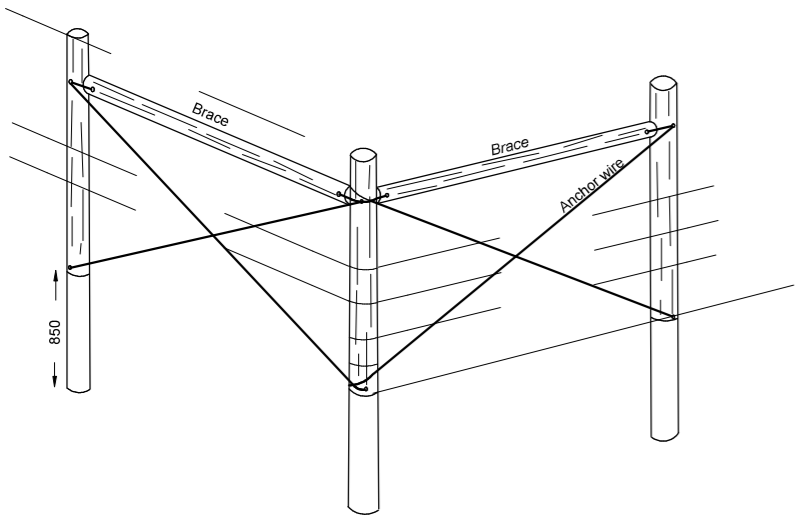
DETAIL A



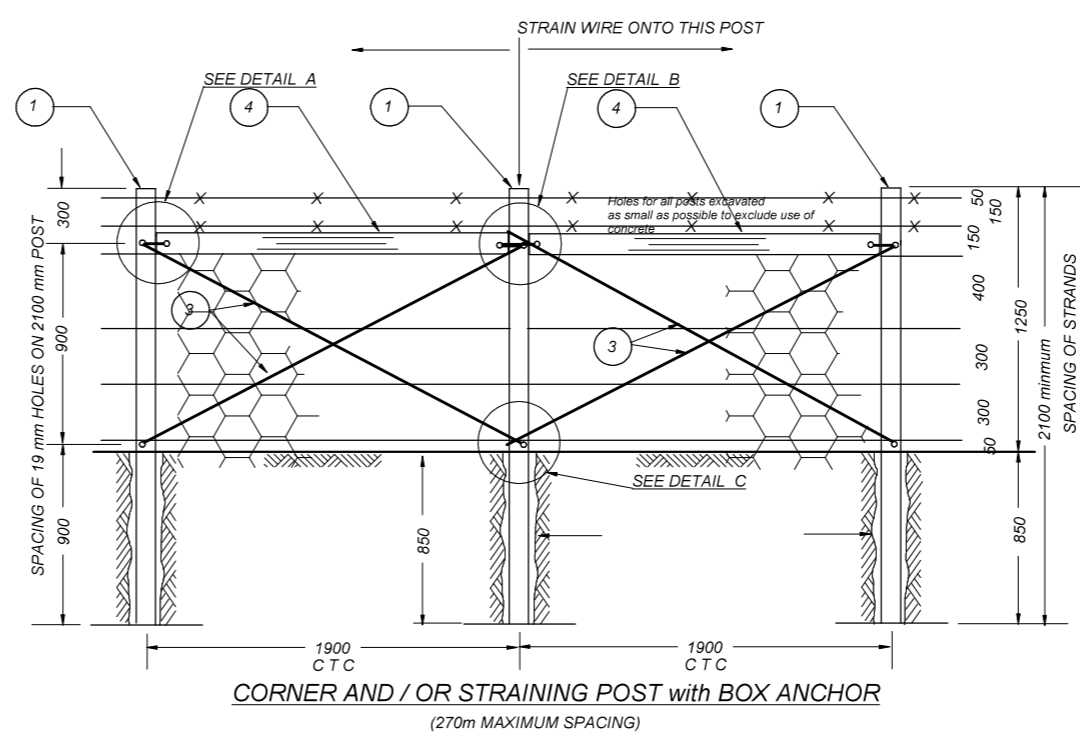
DETAIL B



DETAIL C



CORNER WITH BOX ANCHOR



CORNER AND / OR STRAINING POST with BOX ANCHOR
(270m MAXIMUM SPACING)

LEGEND

- 1 125 - 150mm TOP DIAMETER x 2100 mm TREATED TIMBER POST CORNER, STRAINING AND ANCHOR POSTS
- 3 4mm x 4 STRANDS TWISTED SOFT GALVANISED BINDING WIRE
- 4 100 - 125mm TOP DIAMETER x 1800 mm TREATED TIMBER POST BRACES IN BOX ANCHORS

- NOTES:**
1. 40 mm STAPLES REQUIRED FOR CORNER POSTS and STRAINING POSTS
 2. THIS DRAWING TO BE READ IN CONJUNCTION WITH THE PROJECT PARTICULAR SPECIFICATIONS FOR FENCES
- NGL NATURAL GROUND LEVEL

NO.	SPECIAL NOTES:	JPJ KOCH (CHIEF ENGINEER)	DEPARTMENT OF RURAL DEVELOPMENT AND AGRARIAN REFORM PROVINCE OF THE EASTERN CAPE	ENGINEERING SERVICES PRIVATE BAG X015 DOHNE ADI STUTTERHEIM 4930	STANDARD VERMIN PROOF FENCE	SCALE	INDEX NO.
						NTS	SCMM001/19/01
						1,2m HIGH - VERMIN PROOF FENCE	PLAN NO.
						A3 ORIGINAL	SHEET 1 OF 6