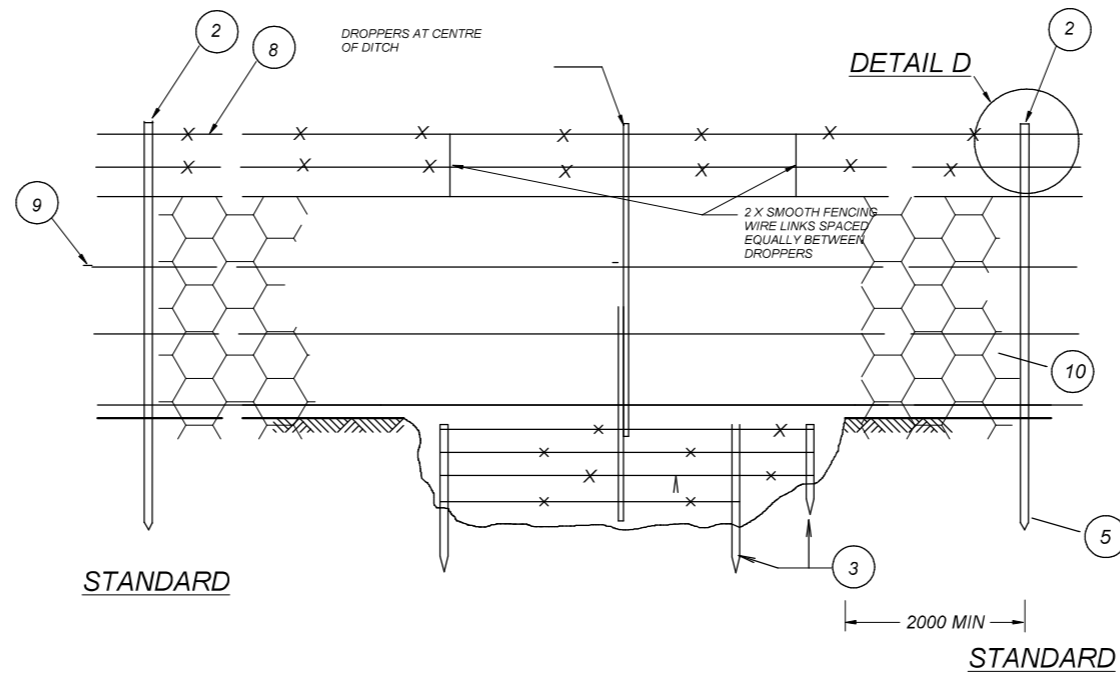
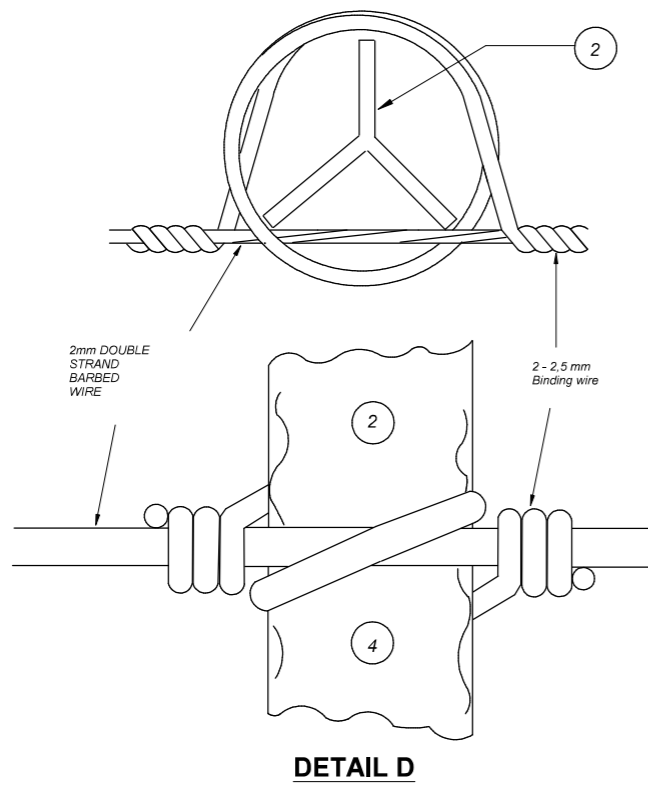


STOCK PROOF FENCE



CROSSING CANALS AND TRENCHES



DETAIL D

LEGEND

- 1 — 125 - 150mm TOP DIAMETER x 2100 mm TREATED TIMBER POST CORNER, STRAINING AND ANCHOR POSTS
- 2 — 2,0 kg/m x 1800 mm Y SECTION IRON STANDARD
- 3 — 4mm x 4 STRANDS TWISTED SOFT GALVANISED BINDING WIRE
- 4 — 100 - 125mm TOP DIAMETER x 1800 mm TREATED TIMBER POST BRACES IN BOX ANCHORS
- 5 — STANDARDS EMBEDDED IN CLASS 20/19 CONCRETE IF ORDERED BY THE ENGINEER
- 6 — STAKES (DROPPER PROFILE) OF SUITABLE LENGTH DRIVEN FIRMLY INTO SIDES & BED OF TRENCH AT APPROVED SPACINGS. STAKES TO BE ALIGNED WITH & TIED TO DROPPERS WITH WIRE WHERE REQUIRED.
- 7 — 0,56 kg/m x 1250 mm RIDGEBACK PATTERN IRON DROPPER
- 8 — Barbed wire, 2 x 2mm, galvanized, SABS approved
- 9 — High Tensile 2.24mm dia plain wire, galvanized, SABS approved.
- 10 — Netting wire, 1.8mm dia, 1200mm x 90mm hexagonal mesh

NGL NATURAL GROUND LEVEL

NOTES: 1. 40 mm STAPLES REQUIRED FOR CORNER POSTS and STRAINING POSTS
2. THIS DRAWING TO BE READ IN CONJUNCTION WITH THE PROJECT PARTICULAR SPECIFICATIONS FOR FENCES

NO.	SPECIAL NOTES:

JPJ KOCH
(CHIEF ENGINEER)

DECEMBER 2020
(DATE APPROVED)

**DEPARTMENT OF RURAL DEVELOPMENT AND AGRARIAN REFORM
PROVINCE OF THE EASTERN CAPE**

ENGINEERING SERVICES
PRIVATE BAG X015
DOHNE ADI
STUTTERHEIM
4930

STANDARD VERMIN PROOF FENCE

1,2m HIGH - VERMIN PROOF FENCE

SCALE	INDEX NO.
NTS	SCMM001/19/02
A3 ORIGINAL	PLAN NO.
	SHEET 2 OF 6