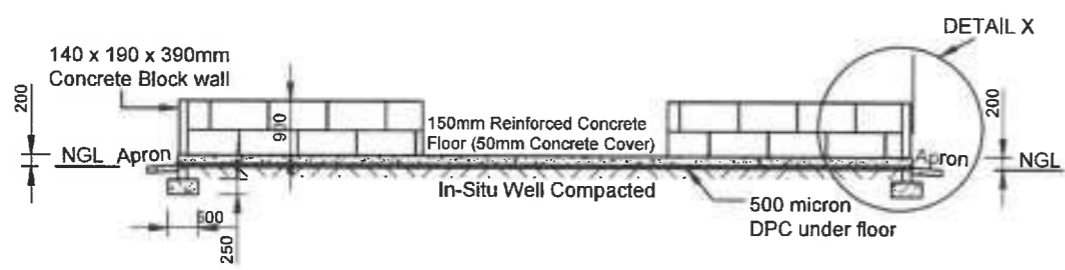
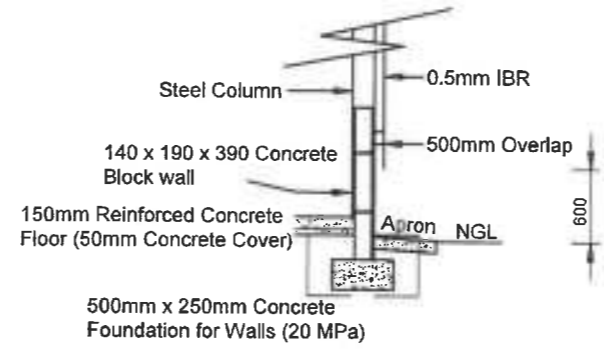


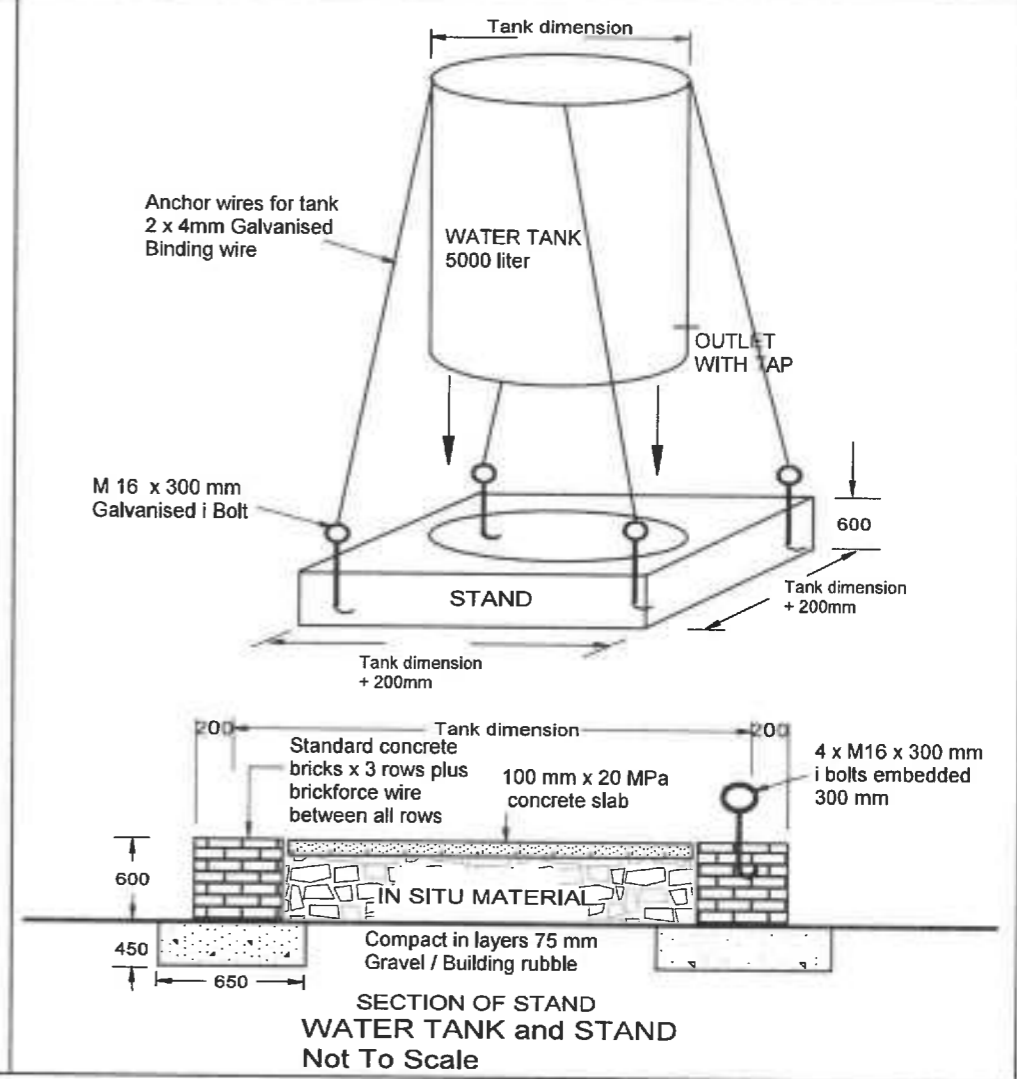
SECTION A : A  
SCALE : NTS



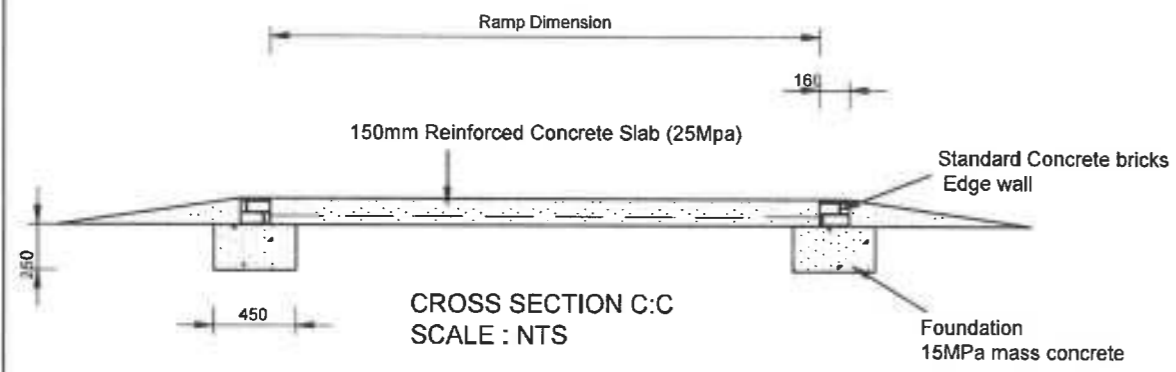
SECTION B : B  
SCALE : NTS



DETAIL X  
SCALE : NTS

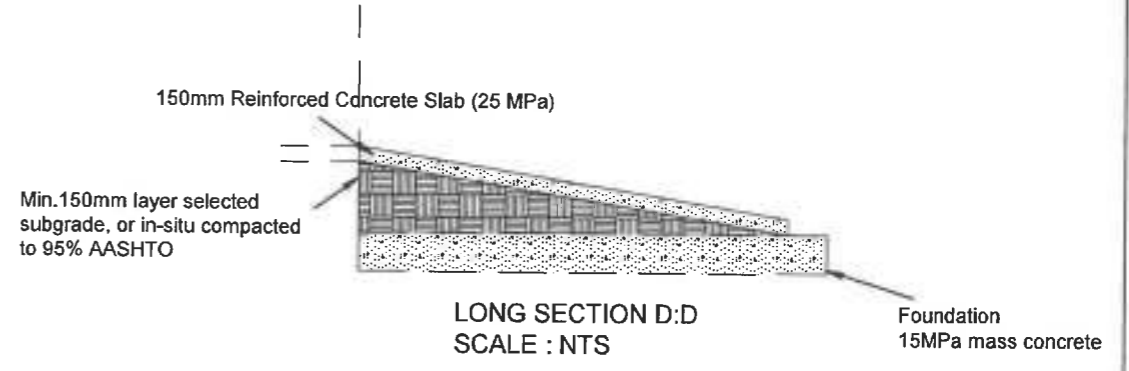


DETAIL OF CONCRETE RAMP



CROSS SECTION C:C  
SCALE : NTS

Note:  
Dimensions dependant on  
site specific conditions



LONG SECTION D:D  
SCALE : NTS

NO:	SPECIAL NOTES:	JPJ KOCH (CHIEF ENGINEER)	RURAL DEVELOPMENT AND AGRARIAN REFORM PROVINCE OF THE EASTERN CAPE	MULTIPURPOSE SHED	SCALE: NTS	INDEX NO.: SCMM001/33/03			
	1. Concrete bases as per the Engineers designs				DECEMBER 2020 (DATE APPROVED)	ENGINEERING SERVICES Private Bag X015 DÖHNE ADI STUTTERHEIM 4930	SECTIONS AND TANK STAND	A3 ORIGINAL	PLAN NO.: SHEET 3 OF 4
	2. 500mm x 250mm Concrete Foundation for Walls								
3. No. 395 Steel Mesh in ramps with 50mm concrete cover.									