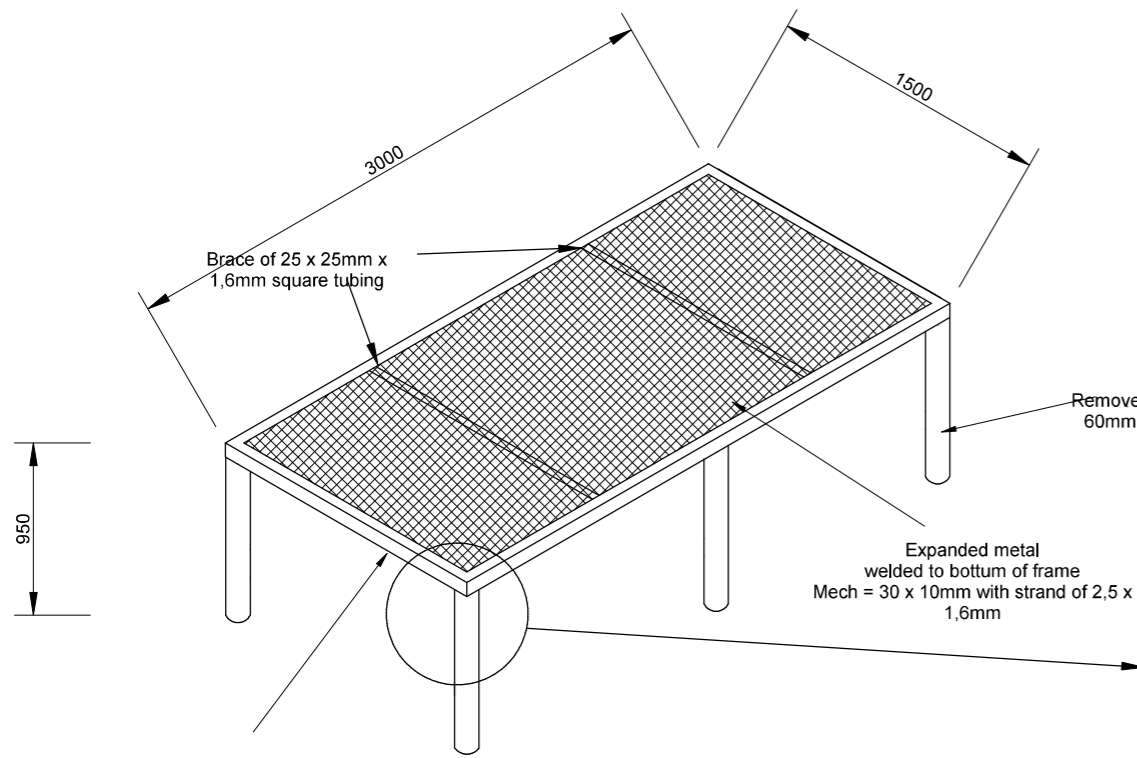
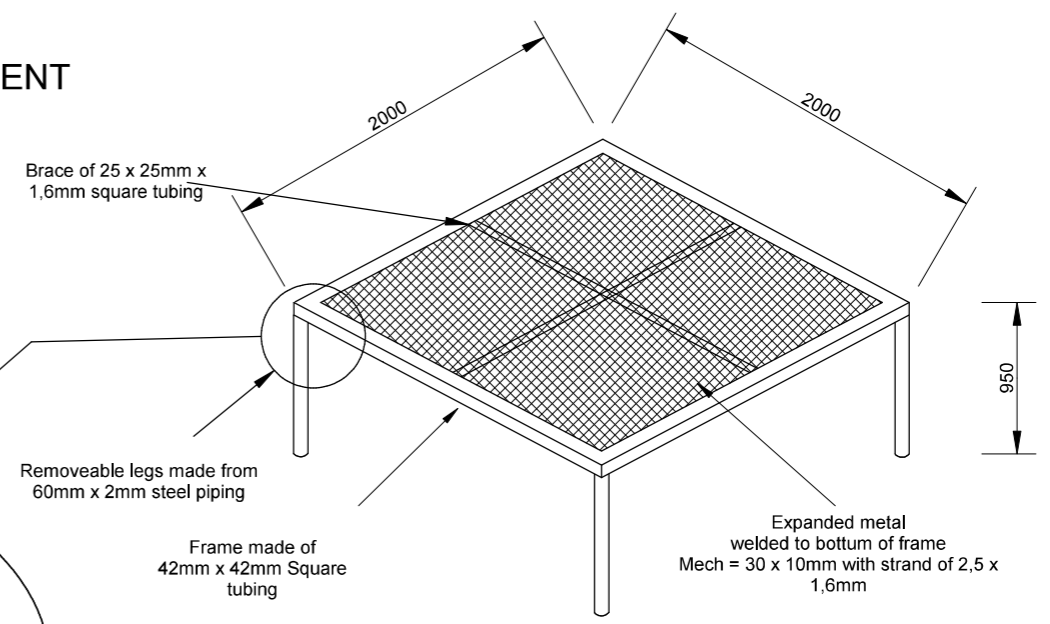
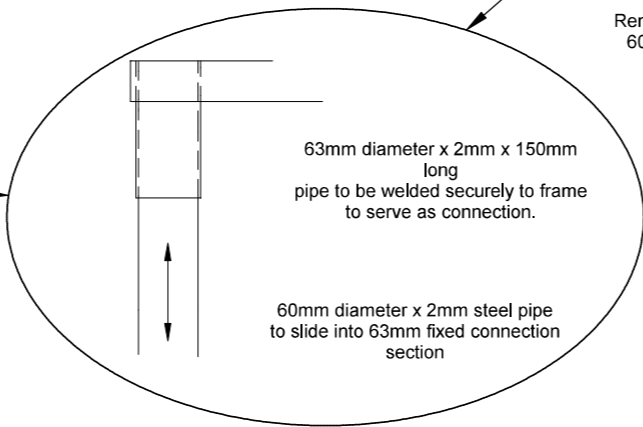


DETAILS OF SHEARING EQUIPMENT



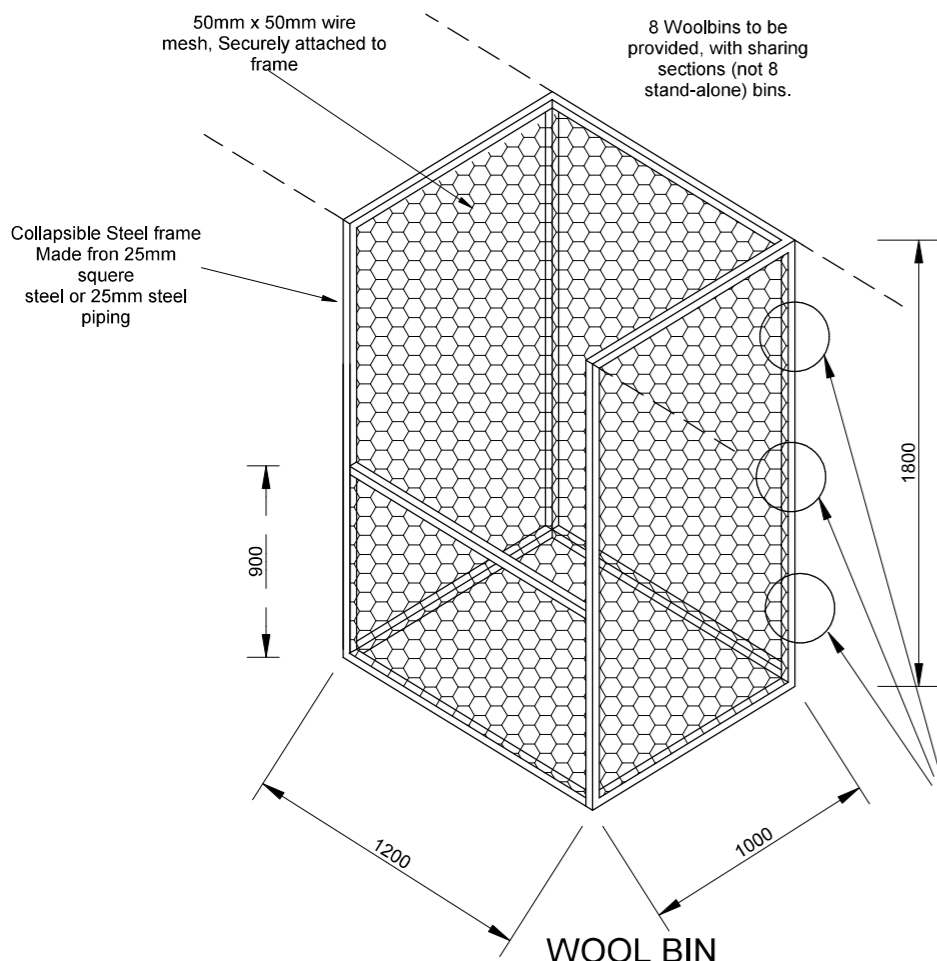
WOOL SORTING TABLE

Not to scale



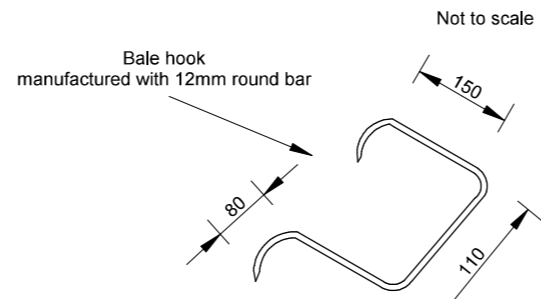
PIECE PICKING TABLE

Not to scale



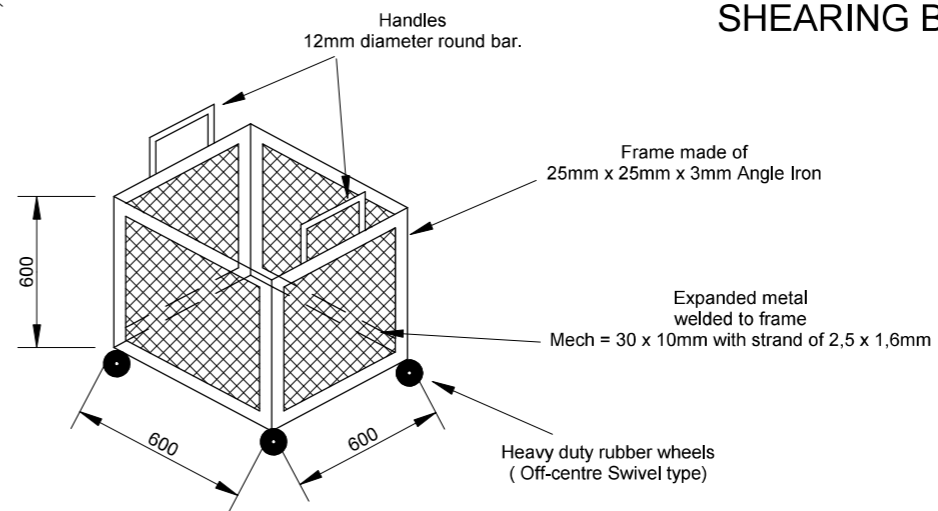
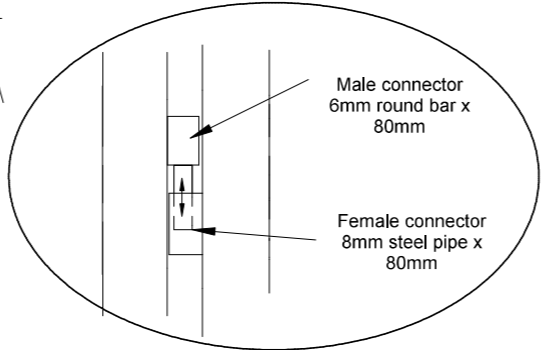
WOOL BIN

Not to scale



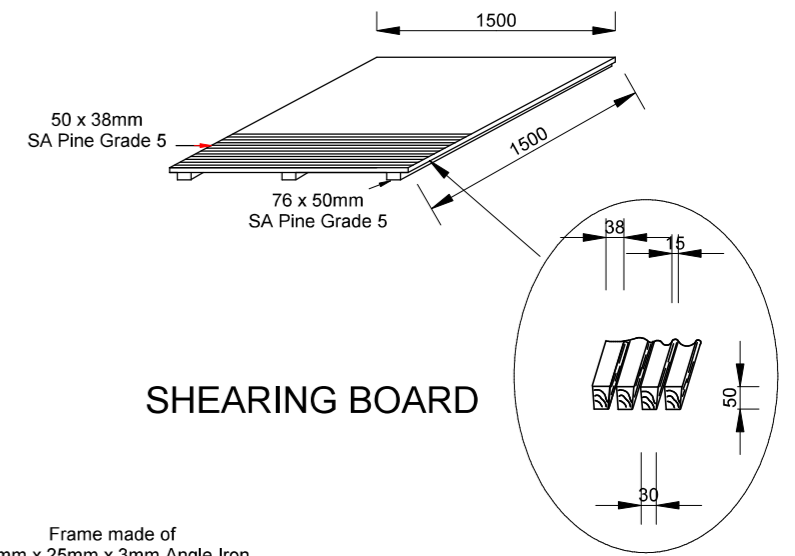
BALE HOOKS

Not to scale



WOOL BASKETS

Not to scale



SHEARING BOARD

NO.	SPECIAL NOTES:

JPJ KOCH
(CHIEF ENGINEER)

DECEMBER 2020
(DATE APPROVED)

**DEPARTMENT OF RURAL DEVELOPMENT AND AGRARIAN REFORM
PROVINCE OF THE EASTERN CAPE**

ENGINEERING SERVICES
PRIVATE BAG X015
DOHNE ADI
STUTTERHEIM
4930

SHEARING EQUIPMENT

SHEARING EQUIPMENT

SCALE
NTS

INDEX NO.
SCMM00/26/01

PLAN NO.
SHEET 1 OF 1

A3 ORIGINAL