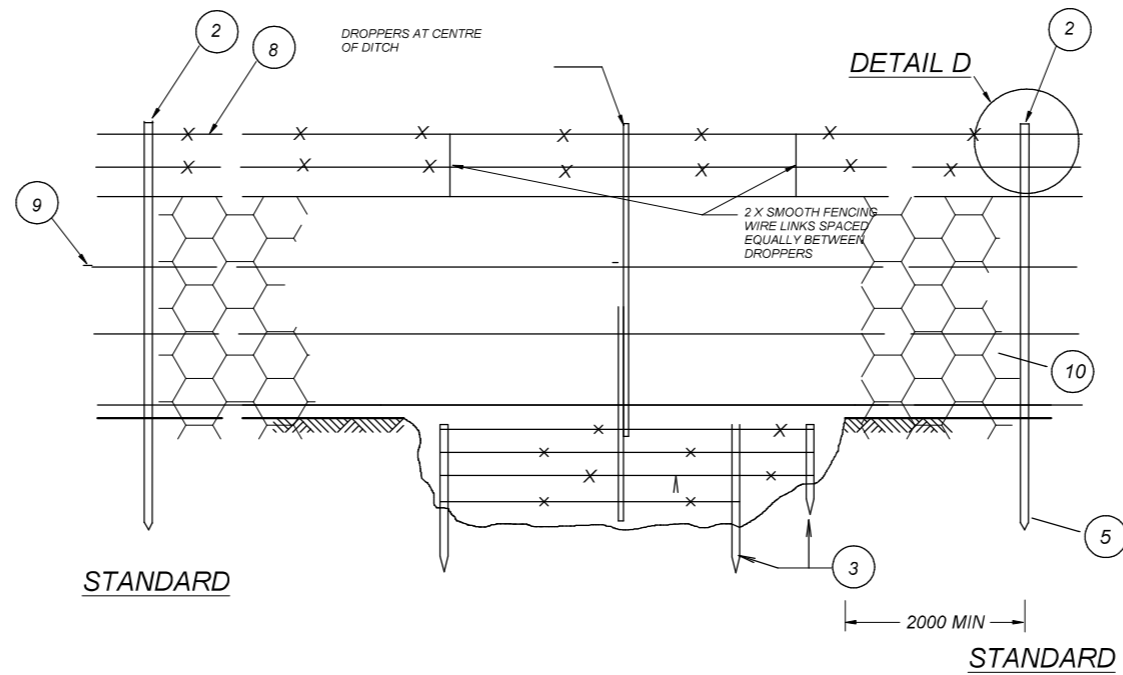
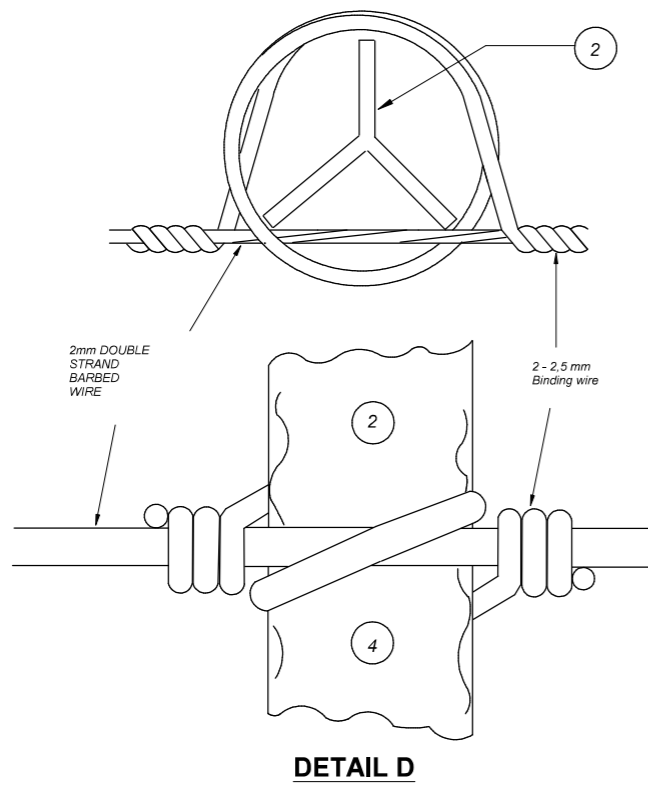


STOCK PROOF FENCE



CROSSING CANALS AND TRENCHES



LEGEND

- 1 — 125 - 150mm TOP DIAMETER x 2100 mm TREATED TIMBER POST  
CORNER, STRAINING AND ANCHOR POSTS
- 2 — 2,0 kg/m x 1800 mm Y SECTION IRON STANDARD
- 3 — 4mm x 4 STRANDS TWISTED SOFT GALVANISED BINDING WIRE
- 4 — 100 - 125mm TOP DIAMETER x 1800 mm TREATED TIMBER POST  
BRACES IN BOX ANCHORS
- 5 — STANDARDS EMBEDDED IN CLASS 20/19 CONCRETE IF ORDERED BY THE ENGINEER
- 6 — STAKES (DROPPER PROFILE) OF SUITABLE LENGTH DRIVEN FIRMLY INTO SIDES &  
BED OF TRENCH AT APPROVED SPACINGS. STAKES TO BE ALIGNED WITH & TIED TO  
DROPPERS WITH WIRE WHERE REQUIRED.
- 7 — 0,56 kg/m x 1250 mm RIDGEBACK PATTERN IRON DROPPER
- 8 — Barbed wire, 2 x 2mm, galvanized, SABS approved
- 9 — High Tensile 2,24mm dia plain wire, galvanized, SABS approved.
- 10 — Netting wire, 1,8mm dia, 1200mm x 90mm hexagonal mesh

NGL NATURAL GROUND LEVEL

NOTES: 1. 40 mm STAPLES REQUIRED FOR CORNER POSTS and STRAINING POSTS  
2. THIS DRAWING TO BE READ IN CONJUNCTION WITH THE PROJECT PARTICULAR SPECIFICATIONS FOR FENCES

NO.	SPECIAL NOTES:	JPJ KOCH (CHIEF ENGINEER)  DECEMBER 2020 (DATE APPROVED)	DEPARTMENT OF RURAL DEVELOPMENT AND AGRARIAN REFORM PROVINCE OF THE EASTERN CAPE  ENGINEERING SERVICES PRIVATE BAG X015 DOHNE ADI STUTTERHEIM 4930	STANDARD VERMIN PROOF FENCE	SCALE NTS	INDEX NO. SCMM001/19/02
				1,2m HIGH - VERMIN PROOF FENCE	A3 ORIGINAL	PLAN NO. SHEET 2 OF 6